

# HS7000

## HitchSafe™ Hitch Receiver Safe/Vault

## PRODUCT DATA SHEET



Patents:  
US 7059158 B2  
AU 10/800,223

**Typical applications:** Great for out door sports where carrying keys are a hassle. Store spare keys to your home, vehicle, boat, RV, etc. Secure credit cards and cash.

**\*Note:** (2005 - 2021) Toyota Tacoma and Toyota Tundra require purchase of longer bolts/hitch pins (item# HS7021). HitchSafe is not compatible with 2022 or newer Toyota Tacoma or Tundra trucks.



**WARNING:** This product can expose you to chemicals including chromium, which is known to the State of California to cause cancer and birth defects or other reproductive harm. For more information go to [www.P65Warnings.ca.gov](http://www.P65Warnings.ca.gov).

### FEATURES

- Secure, concealed key storage
- **Combination:** Keyless security with up to 10,000 possible combinations
- **Convenience:** Secure your valuables—enjoy outdoor activities without the need to carry keys, credit cards or other valuables
- **Durability:** Superior to metal, magnetic key holders
- Easy to install and use
- **Construction:** High security, pick resistant, heavy duty, all metal, rust resistant construction, chrome plated brass dials
- **Visibility:** The Zero Locking feature enables the HitchSafe to be opened in the dark
- **Resettable:** Easily set/reset to your own combination—no special tools required
- **Compatibility:** Compatible with standard 2" hitch receivers (OEM or aftermarket). **\*Note:** Toyota Tacoma and Toyota Tundra require use of special hitch bolts (see details below).
- Attractive dust cover conceals and protects HitchSafe
- **Capacity:** Stores up to 9 keys
- **Storage:** Stores up to two credit cards and/or drivers licenses
- Patented hitch pins secure HitchSafe with sliding bars from INSIDE requiring removal of combination drawer to access

Item No.	Finish
HS7000	Black

Dust Cover



10,000  
Combination  
Drawer



All Rust  
Proof Metal



Hitch Pins lock  
from INSIDE Vault

**DISCLAIMER:** Information and specifications in this document are subject to change without notice at any time. The information provided herein is as complete and correct as is reasonably possible. Further, we cannot guarantee information regarding compatibility with any specific vehicle's hitch receiver only general compatibility with standard 2" hitch receivers. We also cannot guarantee the accuracy of information provided to us by other manufacturers as they are under no obligation to notify us of changes to their products or specifications that may affect the compatibility of this product.



# HS7000

## HitchSafe™ Hitch Receiver Safe/Vault

## PRODUCT DATA SHEET

### ACCESSORY ITEMS



**HS7021** - Hitch bolts for (2007 - 2021) Toyota Tacoma or Toyota Tundra (1 pair)



**HS7020** - Standard replacement bolts (1 pair)

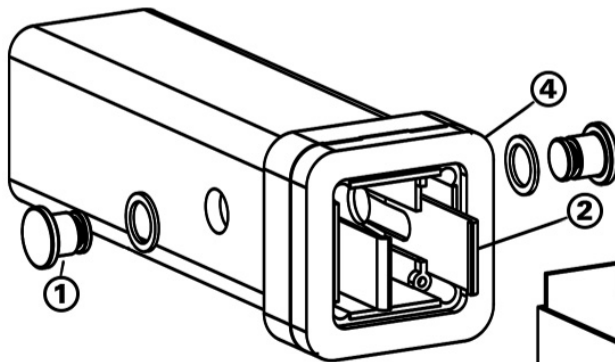


**HS7010** - Replacement cover



**HS7041** - Replacement drawer

### DIAGRAM



**1 2 X2 HITCH BOLTS + SLIDING BARS**

Hitch pins are secured by the bars from inside and can only be removed after the combination drawer is removed.

**3 X1 LOCK DRAWER W/ BUILT-IN COMBINATION DIALS**

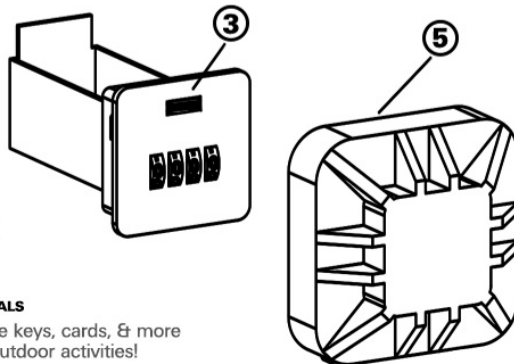
Easily set your own combination. Store keys, cards, & more with secure protection while you do outdoor activities!

**4 X1 HITCHSAFE BODY**

Easily secured inside solid metal hitch receiver, so it can't fall off.

**5 X1 DUST COVER**

Conceals and protects dials to hide the HitchSafe vault so it won't be discovered.



WARNING: This product can expose you to chemicals including chromium, which is known to the State of California to cause cancer and birth defects or other reproductive harm. For more information go to [www.P65Warnings.ca.gov](http://www.P65Warnings.ca.gov).

# HS7000

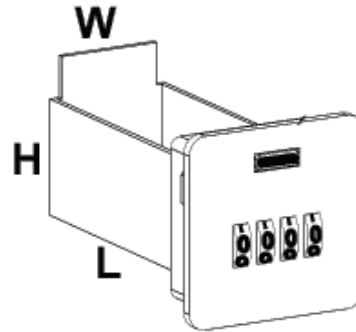
## HitchSafe™ Hitch Receiver Safe/Vault

## PRODUCT DATA SHEET

### DIMENSIONS

#### Inner Dimensions of HitchSafe Drawer

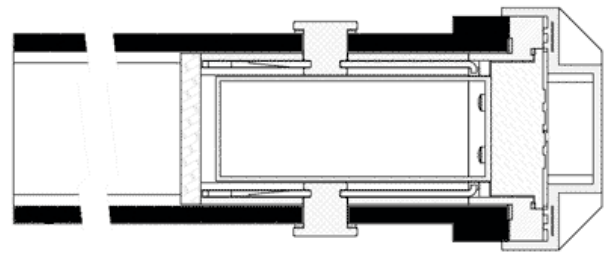
- **W** = Width: 32mm (1-1/4")
- **L** = Length: 90mm (3-9/16")
- **H** = Height: 45mm (1-3/4")
- Fits 2 cards diagonally (credit card or license)



Inner Drawer

#### HitchSafe Body

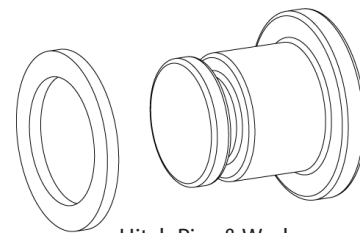
- Fits standard 2" Hitch Receiver
- Adjustable for pin hole variances
- Maximum hole reach from front of receiver to middle of pin hole is 2-9/16"
- Maximum body depth into receiver is 4-3/8"




Top View Cutaway of HitchSafe installed in Hitch Receiver

#### Hitch Pins & Washers

- Chrome plated hardened steel
- Pins have the external appearance of a normal hitch pin
- Flanged pin head independent of each other prevent inward force on pins
- Internal metal sliding bar captures pin groove securing the HitchSafe inside of the receiver
- EVA foam washers seal hitch pin holes



 **WARNING:** This product can expose you to chemicals including chromium, which is known to the State of California to cause cancer and birth defects or other reproductive harm. For more information go to [www.P65Warnings.ca.gov](http://www.P65Warnings.ca.gov).

206-363-3290 | 800-525-0954  
www.fjmsecurity.com  
© 2025 Olympus Lock, Inc.



**SECURITY  
PRODUCTS**  
AN OLYMPUS LOCK  
COMPANY 